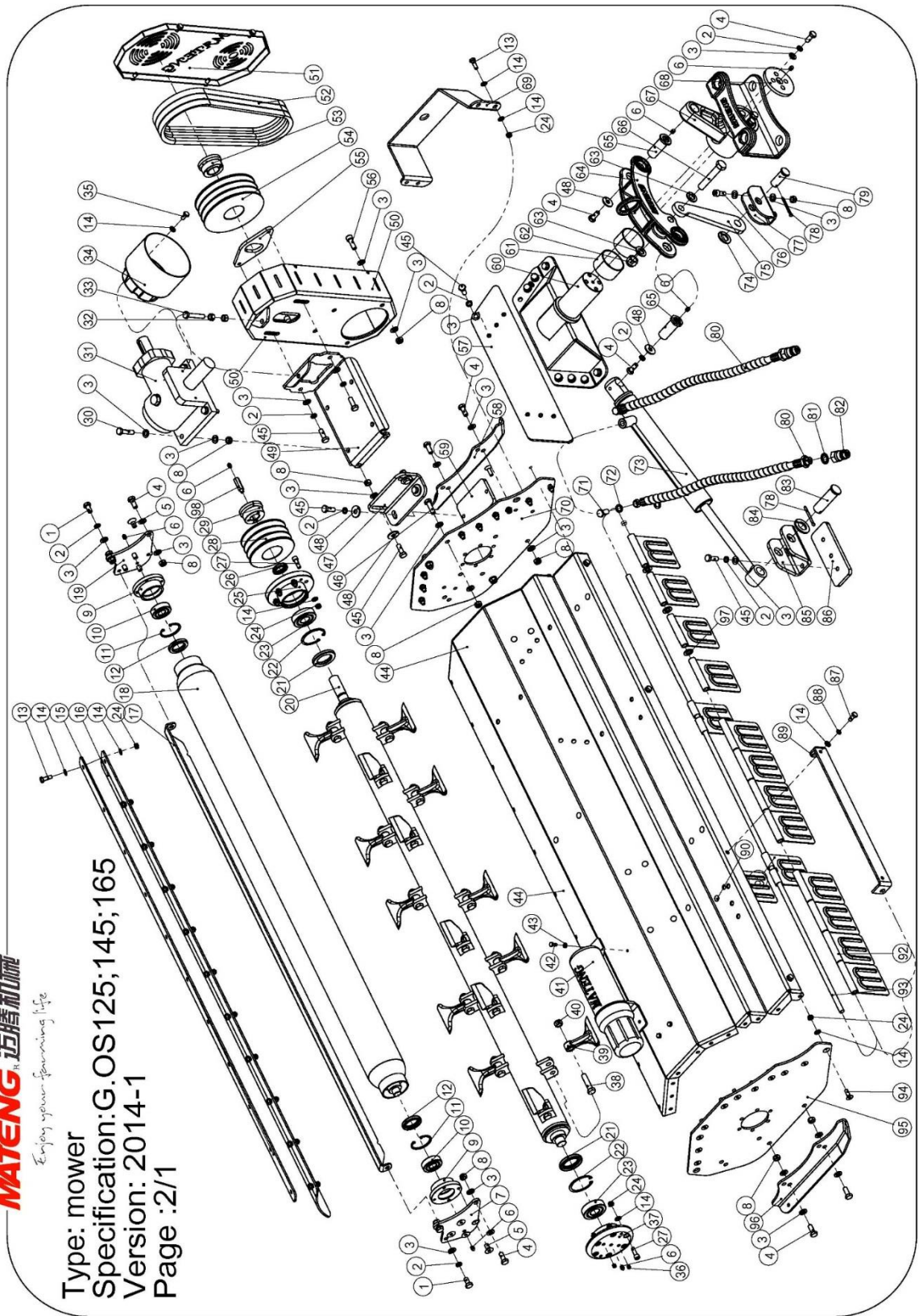


Part List



MATENG 迈腾机械

Enjoy your spanning life

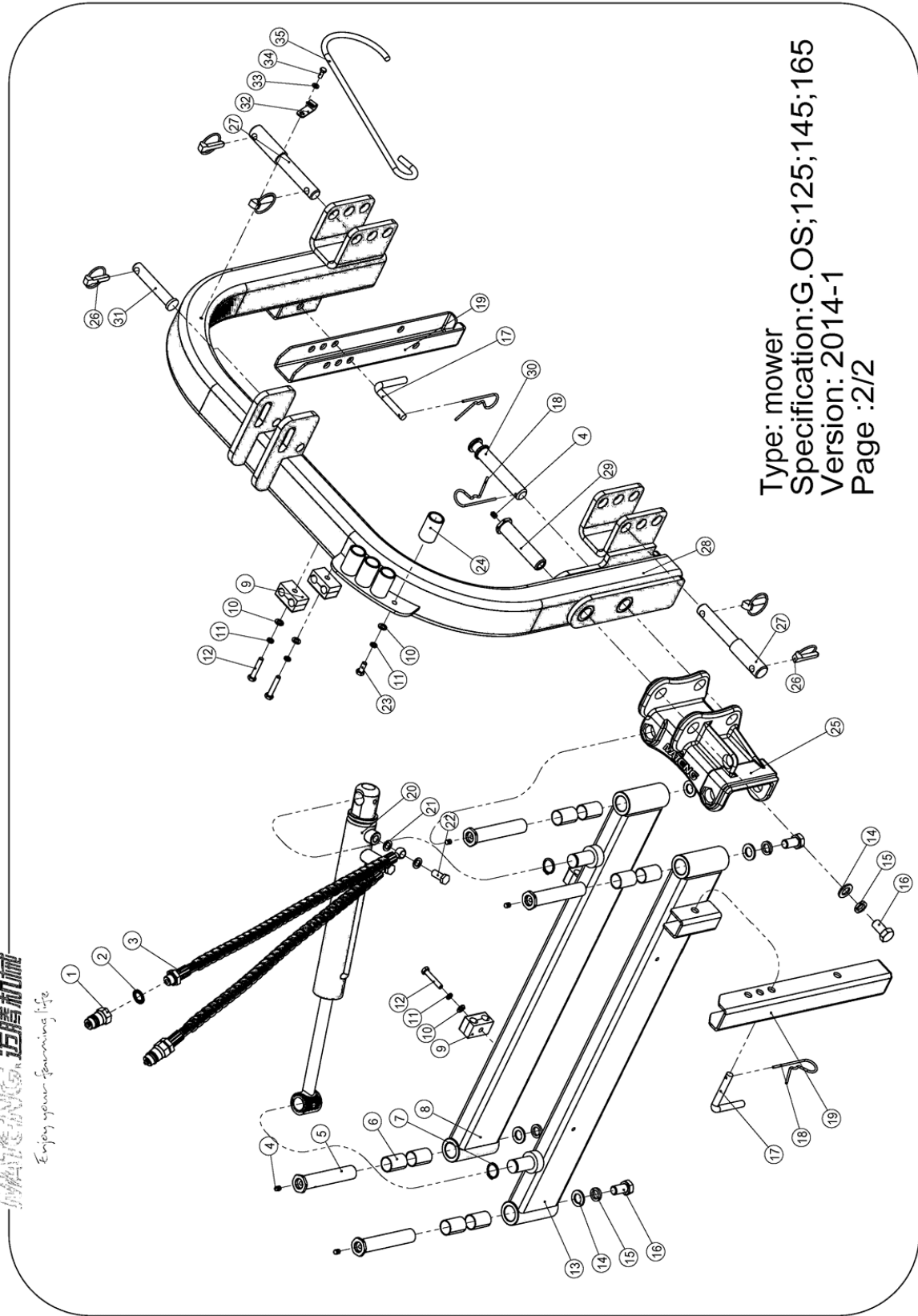
Type: mower
Specification: G.OS125;145;165
Version: 2014-1
Page :2/1

Page No.1

Item	Material code	Part No.	Description	Qty	U. WKg	GWT	Remark
1	14010100038	GB/T 5783-2000	Bolt M10*20	2	0.023	0.046	
2	14020000007	GB/T 93-1987	Spring washer 10	23	0.002	0.046	
3	14040000003	GB/T 95-2002	plain washer 10×2	58	0.003	0.213	
4	14010100039	GB/T 5783-2000	Bolt M10*25	14	0.026	0.364	
5	14060100030	GB/T 70.3-2000	HSHCS M10*20	8	0.022	0.176	
6	14000200001	GB1152.89	Pressure lubricator M8*1	7	0.004	0.028	
7	11000000493	G. OS145-131	Bearing baffle-L	1	0.598	0.598	
8	14050100003	GB/T 889.1-2000	Locknut M10	22	0.009	0.198	
9	13000100021	G. OS145-133	Bearing seating	2	0.409	0.818	
10	11011500088	GB/T 281-94	Self-aligning ball bearing 1304	2	0.162	0.324	
11	14000400036	GB 893.1-86	Circlip 52	2	0.009	0.018	
12	11011200111	TC35*52*8	Oil seal	2	0.007	0.014	
13	14010100019	GB/T 5783-2000	Bolt M8*25	15	0.016	0.24	
14	14040000002	GB/T 95-2002	plain washer 8×1.6	71	0.002	0.142	
15	11000000495	G. OS145-135	Rubber skin plate	1	1.8	1.8	
16	11011800100	G. OS145-134	Rubber skin	1	1.098	1.098	
17	11000000485	G. OS145-116	Roller	1	2.824	2.824	
18	11000201224	G. OS145-013	Cylinder	1	16.91	16.91	
19	11000000494	G. OS145-132	Bearing baffle-R	1	0.598	0.598	
20	11000201092	G. OS145-012	Blade axle weldment	1	23.87	23.87	
21	11011200028	TC40*62*8	Oil seal	2	0.01	0.02	
22	14000400041	GB 893.1-86	Circlip 62	2	0.012	0.024	
23	11011500042	GB/T 281-94	Self-aligning ball bearing 1305	2	0.261	0.522	
24	14050100002	GB/T 889.1-2000	Locknut M8	47	0.005	0.235	
25	11012900062	G. OS145-113	Bearing seat-R	1	1.548	1.548	
26	11011200016	TC25*40*7	Oil seal	1	0.004	0.004	
27	14060200026	GB/T 70.1-2000	HSHCS M8*25	12	0.017	0.204	
28	11011400054	SPB-125-3-55	Pulley	1	2.414	2.414	
29	11011900006	Z6-25*55	Swellable sleeve	1	0.39	0.39	
30	14010100043	GB/T 5783-2000	Bolt M10*45	4	0.039	0.156	
31	11010000009	XH30.290Z.01W	EFL-30HP	1	21	21	
32	14050000003	GB/T 41-2000	Nut M10	2	0.009	0.018	
33	14010100046	GB/T 5783-2000	Bolt M10*60	1	0.048	0.048	
34	11011800014	EFL155.113	PTO dust cover	1	0.13	0.13	
35	14010100016	GB/T 5783-2000	Bolt M8*16	6	0.012	0.072	
36	14060400002	GB/T 77-2000	Screw M8*8	2	0.003	0.006	
37	11012900061	G. OS145-112	Bearing seat-L	1	1.443	1.443	
38	14010000081	GB/T 5782-2000	Bolt M12*50(10.9 class)	20	0.061	1.22	
39	11010200067	G. OS145-140	Blade 80	20	0.345	6.9	
40	14050100006	GB/T 889.1-2000	Locknut M12	20	0.013	0.26	
41	11011800038		Manual canister	1	0.234	0.234	
42	14010100002	GB/T 5783-2000	Bolt M6*16	3	0.006	0.018	
43	14040000001	GB/T 95-2002	Plain washer 6×1.6	3	0.001	0.003	
44	11000000482	G. OS145-111	Hood panel	1	33.49	33.49	
45	14010100040	GB/T 5783-2000	Bolt M10*30	17	0.03	0.51	

Page No.1

46	14010100041	GB/T 5783-2000	Bolt M10*35	2	0.033	0.066	
47	11000000498	G. OS145-139	Gearbox bracket	1	0.991	0.991	
48	14040100003	GB/T 96.2-2002	Large plain washer 10×2.5	6	0.012	0.072	
49	11000000487	G. OS145-119	Gearbox mounting bracket	1	3.037	3.037	
50	11000201225	G. OS145-014	Pulley cover weldment	1	7.45	7.45	
51	11000000484	G. OS145-115	Pulley cover	1	1.569	1.569	
52	11011300038	5LXP-1010	GATES Belt-G.OS	3		0	
53	11011900008	Z6-30*55	Swellable sleeve	1	0.35	0.35	
54	11011400053	SPB-167-3-55	Pulley	1	5.402	5.402	
55	11000000499	G. OS145-141	Belt tensioning plate	1	0.303	0.303	
56	14060200037	GB/T 70.1-2000	HSHCS M10*30	2	0.032	0.064	
57	11000000496	G. OS145-136	Stiffening plate of the overturning axle	1	3.005	3.005	
58	11000000480	G. OS145-108	Skate-L	1	1.161	1.161	
59	11000000491	G. OS145-129	Stiffening plate of gearbox	1	0.743	0.743	
60	11000201223	G. OS145-011	Overturning axle weldment	1	10.06	10.06	
61	11011600010	63*68*40SF-2	Bearing	2	0.16	0.32	
62	14050100008	GB/T 889.1-2000	Locknut M16	1	0.039	0.039	
63	14040000006	GB/T 95-2002	Plain washer 16×3	2	0.011	0.022	
64	11012900067	G. OS145-123	Overturning bracket	1	3.172	3.172	
65	11000100535	G. OS145-107	Joint pin of cylinder	2	0.241	0.482	
66	14010000023	GB/T 5782-2000	Bolt M16*90	1	0.182	0.182	
67	11012900068	G. OS145-127	Overturning bracket	1	8.052	8.052	
68	11000000488	G. OS145-120	Spacing plate	1	0.354	0.354	
69	11000000502	G. OS145-145	Protective plate	1	2.009	2.009	
70	11000000479	G. OS145-104	Side plate-R	1	4.729	4.729	
71	11010600090	(1/4)	Hollow bot 1/4	2	0.029	0.058	
72	11011200000	BS/A13.70(G1/4)	Combined sealing gaskets (Automatic core)	4	0	0	
73	11011000076	G. OS145-110	Cylinder	1	3.639	3.639	
74	14040000007	GB/T 95-2002	Plain washer 20×3	1	0.016	0.016	
75	11000000486	G. OS145-118	Linkage plate	1	0.792	0.792	
76	14060200036	GB/T 70.1-2000	Bolt M10*25	2	0.029	0.058	
77	11000000497	G. OS145-137	Supporting bracket	1	0.486	0.486	
78	14000000043	GB91.86	Cotter pin 5*40	2		0	
79	11000100536	G. OS145-117	Linkage plate pin	1	0.135	0.135	
80	11010700204	G. OS145-101	Oil hose	2	0.794	1.588	
81	11011200003	BS/A21.50(G1/2)	Combined sealing gaskets (Automatic core)	2	0.001	0.002	
82	11010900020	G1\2	Adaptor (male)	2	0.125	0.25	
83	11000100537	G. OS145-124	Cylinder pin	1	0.336	0.336	
84	14040000008	GB/T 95-2002	Plain washer 24×4	1	0.031	0.031	
85	11000000483	G. OS145-114	Cylinder fixed support	1	1.014	1.014	
86	11000000490	G. OS145-122	Stiffening plate of cylinder	1	0.866	0.866	
87	14010100017	GB/T 5783-2000	Bolt M8*20	4	0.014	0.056	
88	14020000006	GB/T 93-1987	Spring washer 8	4	0.001	0.004	
89	11000000489	G. OS145-121	Guard bracket	2	0.624	1.248	
90	11011800081	12x15x7	Hole cover	14	0.001	0.014	
91	11000000501	G. OS145-143	Guard plate with a gap	2	0.316	0.632	
92	11000000500	G. OS145-142	Guard plate	13	0.327	4.251	
93	11000100539	G. OS145-138	Guard plate axle	1	0.881	0.881	
94	14060100017	GB/T 70.3-2000	Bolt M8*25	20		0	
95	11000100540	G. OS145-103	Side plate-L	1	4.744	4.744	
96	11000000481	G. OS145-109	Skate-R	1	1.146	1.146	
97	14040000004	GB/T 95-2002	Plain washer 12×2.5	13	0.006	0.078	
98	11000100600	G. OS145-146	Pressure lubricator connector	1	0.027	0.027	



马腾机械
Enjoy your spanning life

Page No.2

Item	Material code	Part No.	Description	Qty	U. WKg	GWT	Remark
1	11010900020	G1/2	Adaptor (male)	2	0.125	0.25	
2	11011200003	BS/A21.50(G1/2)	Combined sealing gaskets (Automatic core)	2	0.001	0.002	
3	11010700205	G. OS145-102	Oil hose	2	0.794	1.588	
4	14000200001	GB1152.89	Pressure lubricator M8*1	5	0.004	0.02	
5	11000100534	G. OS145-105	Fixing Pin	4	0.481	1.924	
6	11011600002	25*28*40SF-2	oilless bearing	8	0.039	0.312	
7	14000300015	GB 894.1-86	Circlip 25	2	0.002	0.004	
8	11000201228	G. OS145-017	Oscillating tube weldment-R	1	8.31	8.31	
9	11010500046	20	Single tube clip 20	4	0.04	0.16	
10	14040000002	GB/T 95-2002	Plain washer 8×1.6	8	0.002	0.016	
11	14020000006	GB/T 93-1987	Spring washer 8	8	0.001	0.008	
12	14010100023	GB/T 5783-2000	Bolt M8*45	4	0.024	0.096	
13	11000201227	G. OS145-016	Oscillating tube weldment-L	1	8.64	8.64	
14	14040000006	GB/T 95-2002	Plain washer 16×3	5	0.011	0.055	
15	14020000010	GB/T 93-1987	Spring washer 16	5	0.008	0.04	
16	14010100171	GB/T 5783-2000	Bolt M16*30	5	0.086	0.43	
17	11000100030	EF175.116	Kickstand pin	2	0.14	0.28	
18	11011700015	Φ4	R pin	3	0.02	0.06	
19	11000000492	G. OS145-130	Kickstand tube	2	1.711	3.422	
20	11011000076	G. OS145-110	Cylinder	1	3.639	3.639	
21	11011200000	BS/A13.70(G1/4)	Combined sealing gaskets (Automatic core)	4	0.001	0.004	
22	11010600090	G1/4	Hollow bot 1/4	2	0.029	0.058	
23	14010100017	GB/T 5783-2000	Bolt M8*20	4	0.014	0.056	
24	11011800099	G. OS145-106	Adaptor holder	4	0.181	0.724	
25	11012900069	G. OS145-128	Connecting bracket	1	7.464	7.464	
26	11011700014	Φ11*45	PTO pin	5	0.05	0.25	
27	11000100158	DP205.110	Hitch pin(Lower)	2	0.65	1.3	
28	11000201226	G. OS145-015	Hitch weldment	1	31.42	31.42	
29	11000100538	G. OS145-125	Retaining pin	1	0.393	0.393	
30	11000100087	G. OS145-126	Safety pin	1	0.512	0.512	
31	11011700003	EF175.119	Hitch pin(Upper)	1	0.24	0.24	
32	11010300004	BCRI200.125	Spring strip	1	0.016	0.016	
33	14040000001	GB/T 95-2002	Plain washer 6×1.6	1	0.001	0.001	
34	14010100002	GB/T 5783-2000	Bolt M6*16	1	0.006	0.006	
35	11000000047	BCRI200.126	PTO hook	1	0.39	0.39	

Item	Material code	part No.	Description	Qty	mark
1	11011300038	5LXP-1010	GATES belt-G.OS	3	Used in 125 model
2	14010000081	GB/T 5782-2000	Bolt M12*50(10.9 class)	18	
3	11000000438	G.OS145-144	Insert spacer	36	
4	11010200021	EFL155-107	Y type blade	18	
5	14050100006	GB/T 889.1-2000	Locknut	18	
1	11011300038	5LXP-1010	GATES belt-G.OS	3	Used in 145 model
2	14010000081	GB/T 5782-2000	Bolt M12*50(10.9 class)	20	
3	11000000438	G.OS145-144	Insert spacer	40	
4	11010200021	EFL155-107	Y type blade	40	
5	14050100006	GB/T 889.1-2000	Locknut	20	
1	11011300038	5LXP-1010	GATES belt-G.OS	3	Used in 165 model
2	14010000081	GB/T 5782-2000	Bolt M12*50(10.9 class)	24	
3	11000000438	G.OS145-144	Insert spacer	48	
4	11010200021	EFL155-107	Y type blade	48	
5	14050100006	GB/T 889.1-2000	Locknut	24	

Item	Material code	part No.	Description	Qty	mark
1	11011300038	5LXP-1010	GATES belt-G.OS	3	Used in 125 model
2	14010000081	GB/T 5782-2000	Bolt M12*50(10.9 class)	18	
3	11010200067	G.OS145-140	Forged hammers80	18	
4	14050100006	GB/T 889.1-2000	Locknut	18	
1	11011300038	5LXP-1010	GATES belt-G.OS	3	Used in 145 model
2	14010000081	GB/T 5782-2000	Bolt M12*50(10.9 class)	20	
3	11010200067	G.OS145-140	Forged hammers80	20	
4	14050100006	GB/T 889.1-2000	Locknut	20	
1	11011300038	5LXP-1010	GATES belt-G.OS	3	Used in 165 model
2	14010000081	GB/T 5782-2000	Bolt M12*50(10.9 class)	24	
3	11010200067	G.OS145-140	Forged hammers80	24	
4	14050100006	GB/T 889.1-2000	Locknut	24	